



DELIVERED WITH PRIDE

YANDIYA GROUP LIMITED

Add: 1201 Tower B, Zhan Tao, Technology Building, Minzhi Avenue, Long Hua, Bao An, Shenzhen 518131 China
Tel: 86-755-23303746 Fax: 86-755-86203626
sales@yandiya.com www.yandiya.com

LED FLOOD LIGHT



Product Name: 10W Flood light

Issue Date: 2013-07-24

Quality Department	Engineer Department	Producer
Sam Zhang	Zhang yu wang	feng min Fu

➤ Features of the products:

1. Adopting integrated Chip as light source with high lighting efficiency (90-120Lm/W), high CRI (Ra>70), good quality heat dissipation, low light degradation.
2. Aluminum alloy die cast housing, good strength. High quality heat dissipation. Anti-corrosion and baking varnish surface, can be for outdoor using.
3. Make a dedicated luminous intensity distribution design via the aluminum reflector, there are two options for lighting distribution, one is for focusing, another is for diffusing.
4. Wide Input Voltage from 100V~260VAC, constant voltage constant current output, can start up at once, no flicker, lightning protection, PFC function available.

➤ Applications:

LED wall washer lamp, LED flood light is particularly suitable for landscape, public square, metope and exhibit color washing. Through a variety of light and water combine to produce the feeling of smart to bring you a fantastic mood.



DELIVERED WITH PRIDE

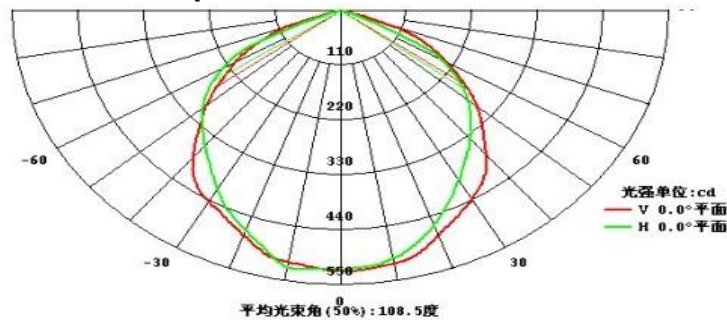
YANDIYA GROUP LIMITED

Add: 1201 Tower B, Zhan Tao, Technology Building, Minzhi Avenue, Long Hua, Bao An, Shenzhen 518131 China
Tel: 86-755-23303746 Fax: 86-755-86203626
sales@yandiya.com www.yandiya.com

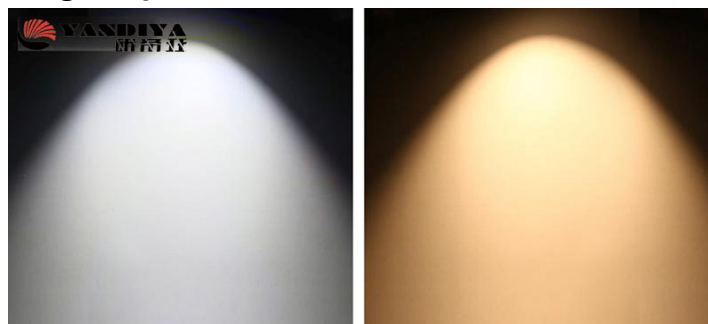
➤ Main Specifications

Model No.	YL-FL10W
Dimension	110*90*90mm
Power Consumption	10W
Tube Material	Aluminum
Weight	0.8 Kg
LED Quantity	1 pc
Luminous efficiency	90LM/W
Input Voltage	AC 85V - 265V
Work Frequency	50 TO 60Hz
Color Temperature	3000K-6000K
Viewing Angle(Degree)	120
Type of LED	Epistar
Environment temperature	-20 ~ +45
Environment Humidity	<95%
Color Rendering Index	>80%(White)
IP Level	65
Equal To The Brightness Of Metal halide lamp	50W
Luminous Flux(lm)	850LM

➤ Light Distribution Graph



➤ Light Emitting Graph



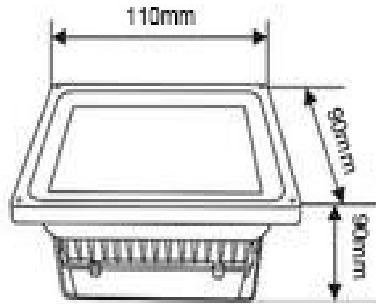


DELIVERED WITH PRIDE

YANDIYA GROUP LIMITED

Add: 1201 Tower B, Zhan Tao, Technology Building, Minzhi Avenue, Long Hua, Bao An, Shenzhen 518131 China
Tel: 86-755-23303746 Fax: 86-755-86203626
sales@yandiya.com www.yandiya.com

➤ **Product Dimensions:**



➤ **Notes:**

1. All dimension units are millimeters.
2. All dimension tolerance is $\pm 0.5\text{mm}$ unless otherwise noted